

FAG

3303-BD-XL-TVH-C3

Angular contact ball bearing

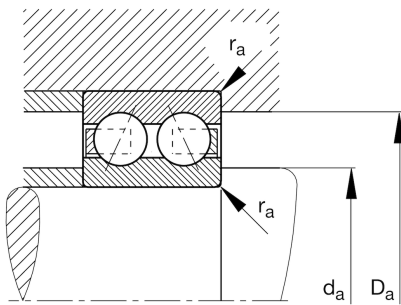
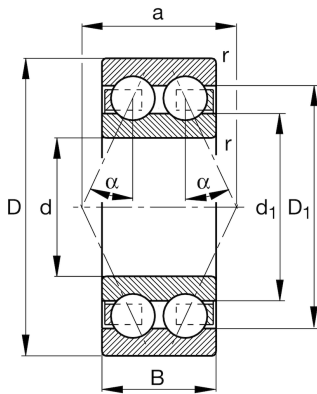
Schaeffler ID:
0644521740030

Angular contact ball bearing 33..-BD-XL-TVH, double row, X-life, plastic cage



X-life

Technical information

**Main Dimensions & Performance Data**

d	17 mm	Bore diameter
D	47 mm	Outside diameter
B	22.2 mm	Width
C_r	22,500 N	Basic dynamic load rating, radial
C_{0r}	13,100 N	Basic static load rating, radial
C_{ur}	910 N	Fatigue load limit, radial
n_G	16,600 1/min	Limiting speed
n_{gr}	12,600 1/min	Reference speed
	0.174 kg	Weight

Mounting dimensions

$d_{a \min}$	22.6 mm	Minimum diameter shaft shoulder
$D_{a \max}$	41.4 mm	Maximum diameter of housing shoulder
$r_{a \max}$	1 mm	Maximum fillet radius

Dimensions

r_{\min}	1 mm	Minimum chamfer dimension
D_1	39 mm	Shoulder diameter outer ring
d_1	28.5 mm	Shoulder diameter inner ring
a	27.5 mm	Distance between the apexes of the pressure cones
α	30 °	Contact angle

Temperature range

T_{\min}	-30 °C	Operating temperature min.
T_{\max}	120 °C	Operating temperature max.